



Casambi Wireless IP65 ZHAGA 18 PIR Sensor + Light Sensor + DALI Dimming



The IP65 motion sensor integrates presence detection, daylight harvesting, DALI dimming, and Casambi radio technology. It works seamlessly with DALI LED drivers or luminaires, requiring only a mains power connection. This delivers enhanced occupant comfort and significant energy savings, in full compliance with stringent building energy standards. Purpose-built for low-bay applications, the sensor is an ideal solution for automated, sensor-driven lighting control.

Applications

Architectural Lighting: Control with Casambi and DALI

Smart City Solutions: Ideal for street lighting, parks, and public infrastructure.

Smart Building: Centralised lighting, HVAC, and energy optimisation; scalable to multi-site projects.

Smart Home: Works with mainstream hubs for unified control and automation.

Renewable Energy: Integrates with solar and battery systems for energy monitoring.

Industrial Automation: Rugged design with RS485 and sensor support for harsh environments.

Warehouses: Energy-efficient, high-bay lighting with intelligent controls for occupancy and daylight harvesting.

Factories: Robust, reliable lighting and monitoring systems designed to withstand industrial conditions and support automation.

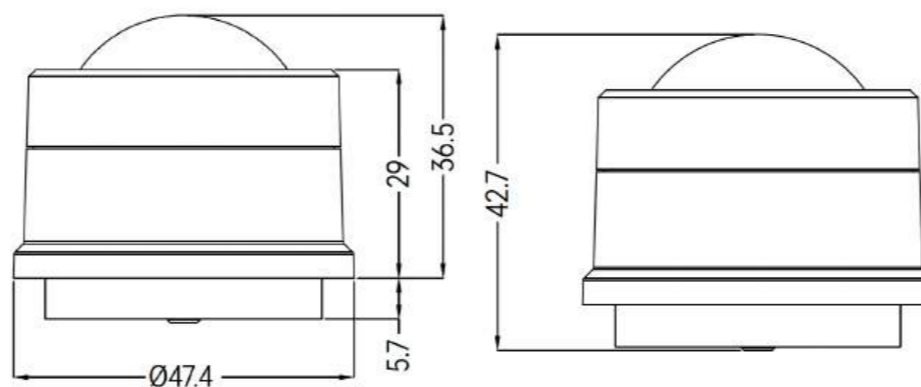
Street and Area Lighting: Advanced adaptive dimming and scheduling for safety, visibility, and energy savings.

Outdoor Luminaires: Wall Packs, parking Lots, walkways.

Photo Controls: Smart photocells and sensors for automated dusk-to-dawn operation and energy savings.

Central Management System (CMS): Scalable platform for real-time monitoring, control, and diagnostics of lighting networks.

Dimensions



Technical Specifications

| | |
|-----------------------------|---|
| Power Supply | DALI BUS |
| Power Consumption | Max. 30mA |
| Control | DALI-2 |
| Marking Terminals | DA-, DA+ |
| Status Indicators | Green (commissioning) Red (motion detection) |
| Transceiver Frequency | 2.4GHz ISM band |
| Radio Range | 164 feet (50m) in open field |
| Radio Certification | FCC/IC, CE |
| Occupancy Sensing Type | PIR sensor |
| Lux Detection Range | 0-1000 Lux |
| Mounting Height | Up to 17m, recommended height: 12-15m |
| Detection Angle | 360° (ceiling) |
| Detection Range | Up to 17 meters @ 12m installation height |
| Operating Temperature Range | -20°C to 40°C |
| Operating Humidity | 0-95% (non condensing) |
| Safety Certification | cULus Listed, CE |
| Warranty | 5 years |



Casambi Wireless IP65 ZHAGA 18 PIR Sensor + Light Sensor + DALI Dimming



Features

Key Features

PIR Motion Detection: Passive Infrared (PIR) sensing enables accurate occupancy detection, ensuring lights activate only when people are present and automatically dim or switch off when spaces are unoccupied.

Daylight Harvesting: Integrated daylight sensors measure ambient light levels and adjust artificial lighting accordingly, reducing energy consumption while maintaining optimal illumination.

DALI Broadcast Control: Works with DALI drivers or luminaires in broadcast mode, allowing all connected devices to respond simultaneously. Simplifies commissioning and ensures consistent group control.

Autonomous Sensor-Based Control: Operates independently with built-in intelligence, allowing luminaires to respond automatically to environmental inputs without requiring constant network communication.

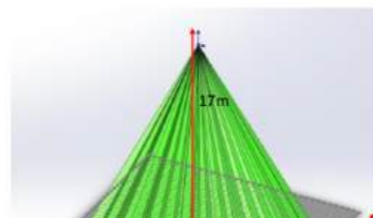
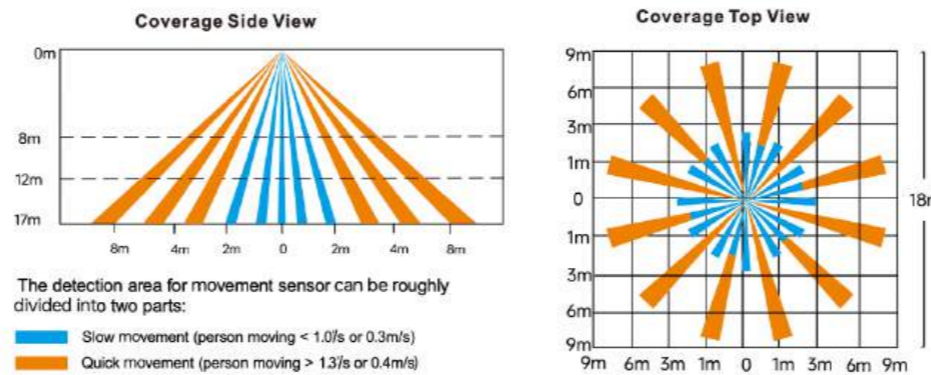
Outdoor Applications: Designed with weather-resistant and robust housing, suitable for car parks, pathways, building exteriors, and other outdoor environments.

Zhaga Book 18 Socket: Standardised interface for pluggable sensors and communication nodes, enabling easy upgrades, future-proof connectivity, and interoperability across multiple manufacturers.

Wireless Features

Easily control a large number of fixtures from any point through a simple, intuitive user interface, with a wide range of functionality including luminaire grouping, customised lighting scenes for different occasions, colour temperature adjustment, daylight and occupancy sensing, and much more.

Detection Pattern



Application

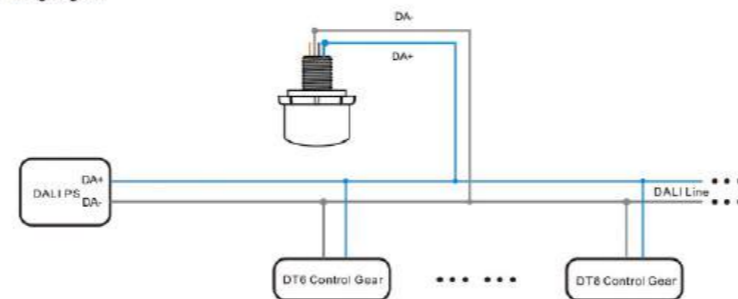


Indoor Low/High-bay Application



Outdoor Application

Wiring Diagram



Benefits

Works seamlessly with S4i Integration Broker (IB):

Software for integration to multiple systems (e.g. Data provider to CMS, Philips Dynalite, Clipsal CBus)

Cost-Effective Energy Savings: Delivers measurable reductions in power consumption through advanced dimming, scheduling, and sensor-based automation—helping organisations lower operating costs and achieve faster ROI.

Energy Code Compliance: Designed to meet stringent energy regulations and building codes (such as ASHRAE, Title 24, and EN standards), ensuring projects are future-proof and aligned with sustainability requirements.

Robust Mesh Network: Built on a resilient wireless mesh architecture that provides reliable communication, self-healing connectivity, and extended coverage, even in

Order Details

| Product SKU | Description |
|------------------------|---|
| S4I-LPC-DALI-ZHAGA-PIR | Casambi enabled IP65 DALI Zhaga Book 18 Light Controller, PIR sensor, Local D4i data via S4i IB |